

942 & 946

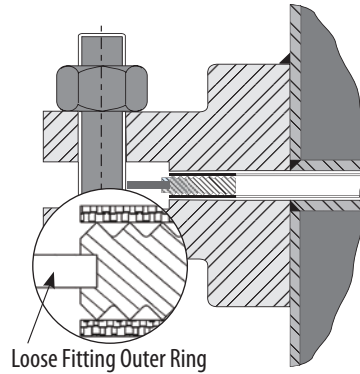
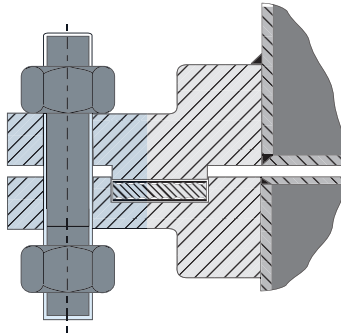
Teadit® Camprofile

Teadit® Camprofile gaskets offer outstanding flexibility, assuring seal integrity under pressure and temperature fluctuations, flange rotation, bolt stress relaxation and creep.

Teadit® Camprofile gaskets are used by the chemical and petrochemical industry, as well as in power stations and refineries, on both standard pipework and special applications, e.g. shell and tube heat exchangers, etc. Camprofile gaskets are constructed from a precision serrated metallic core with soft facing materials - i.e. flexible graphite or expanded PTFE - bonded to either side.

Depending on the kind of metal used, Teadit® Camprofile gaskets can be used for all media from pH 0 to 14.

942



946 - (shown)

Also available in **Style 948**
(integral guide ring)

Material

The core material should be chemically and thermally compatible with the fluid to be sealed. If possible, the core metal should be the same as used to manufacture the flanges to avoid corrosion or differential thermal expansion.

Facing

The most widely used covering material is flexible graphite. For operational conditions where flexible graphite is not recommended, expanded PTFE is commonly used. Mica and high temperature flexible graphite are common selections for elevated temperature service.

Material	Temperature °F (°C)		Pressure psi (bar)
	min	max	max
Standard Flexible Graphite	-400 (-240)	842 (450)	5000 (345)
High Temperature Flexible Graphite	-400 (-240)	1200 (650)	5000 (345)
Mica Paper	-58 (-50)	1830 (1000)	725 (50)
Expanded PTFE	-400 (-240)	500 (260)	1500 (100)

Pressure and Temperature Limits

The Pressure and Temperature range is related to the range of each component. The Service Range is the combination of the limit for the metal and facing limits. For example, a Teadit® Camprofile Style 942 with Stainless Steel core and Standard Flexible Graphite facing has the following limits: 5000 psi (345 bar), -400°F to 842°F (-240°C to 450°C).

Gasket Facing Material	"m"	"y" (psi)
Flexible Graphite	4	4500
PTFE	4	4500
Mica Paper	8	5900

Properties and application parameters shown throughout this data sheet are typical. Your specific application should not be undertaken without independent study and evaluation for suitability. For specific application recommendations consult TEADIT. Failure to select proper sealing products could result in property damage and/or serious personal injury. Specifications are subject to change without notice; this edition cancels all previous issues.

Teadit North America.

10545 Red Bluff Rd - Pasadena - TX - 77507

Phone: 281-476-3900 - Fax: 281-476-3999 - e-mail: sales@teadit.com - engineering@teadit.com - www.teadit.com/us